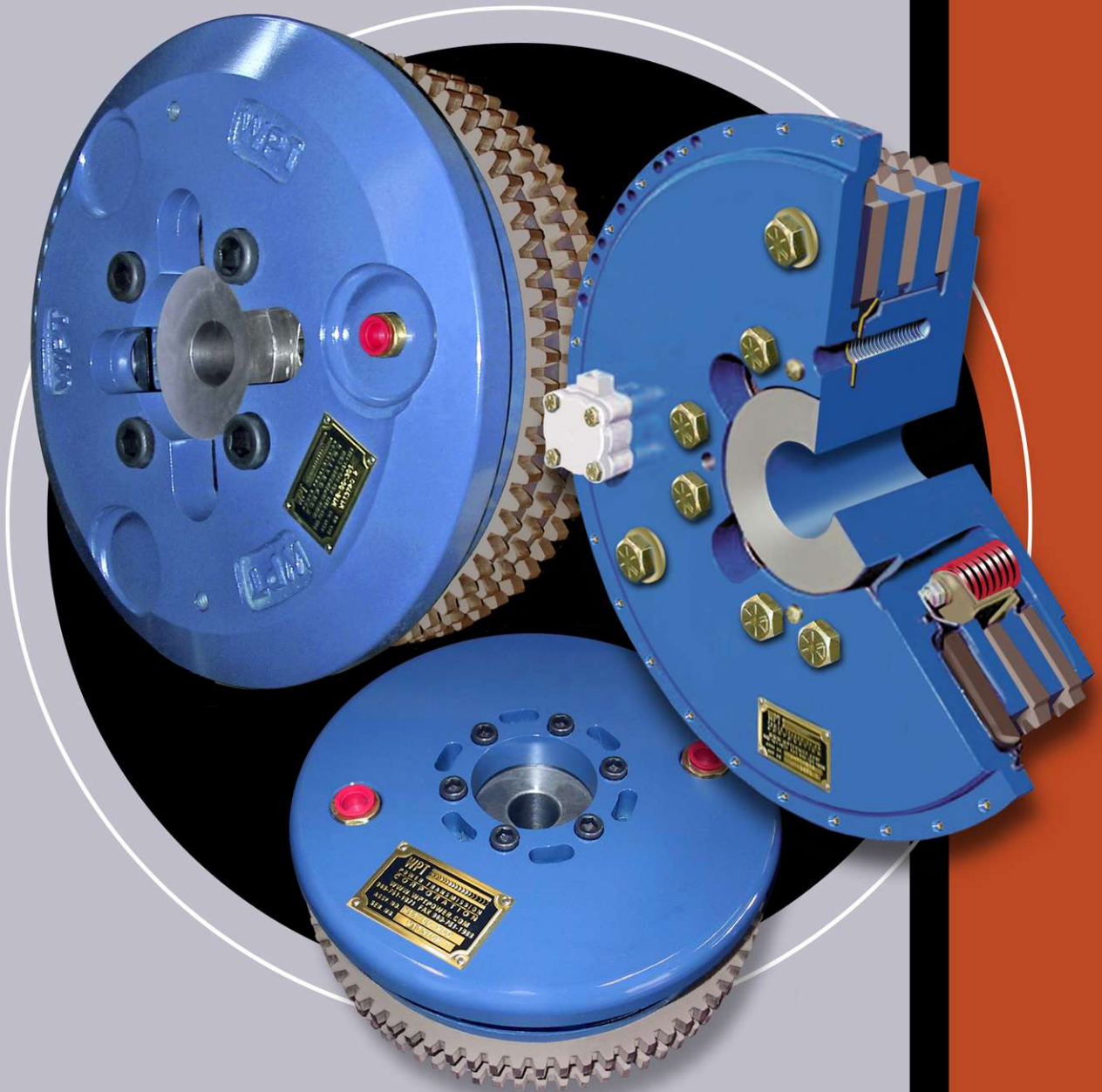


Power Grip & Power Grip PO Clutches



New Wave Spring Replaces Coil Spring

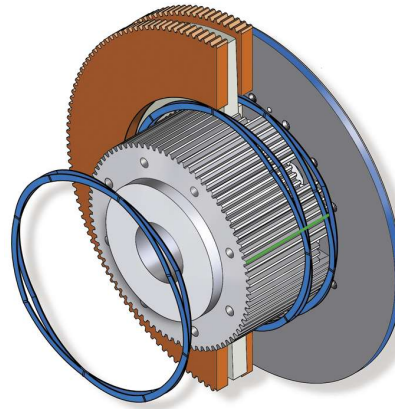
WPT has incorporated a major design improvement into the Power Grip Clutch.



The wave spring is designed to replace coil springs in new and existing clutches. Only one wave spring per plate is

required versus several coil springs. The wave spring allows simple assembly of a clutch on the shaft without the use of special tools used to retain the obsolete coil springs. When used with the “extended teeth” hubs maintenance time is dramatically reduced.

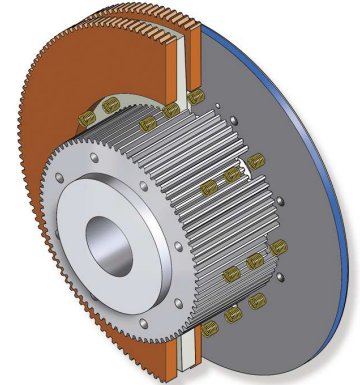
New Power Grip Clutch with Wave Springs



Maximum Speed of Clutch Utilizing Wave Springs

| Clutch Size | Max rpm with Wave Springs |
|-------------------|---------------------------|
| 14" / 14H | 1430 |
| 16" | 1300 |
| 18" / 18H | 1180 |
| 21" | 1110 |
| 24" / 24H / 24SHD | 940 |
| 27" | 900 |
| 30" / 30H | 860 |
| 36" | 600 |

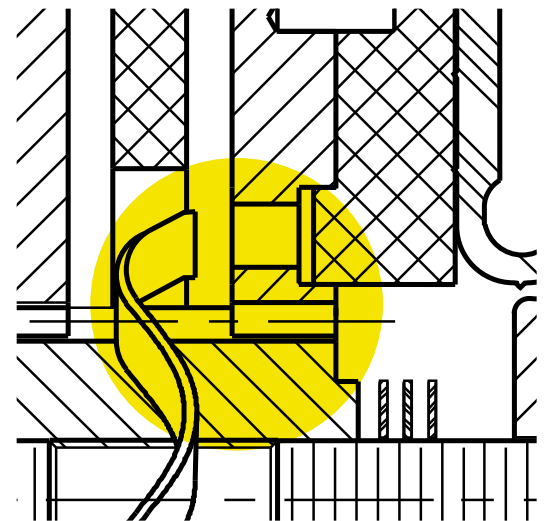
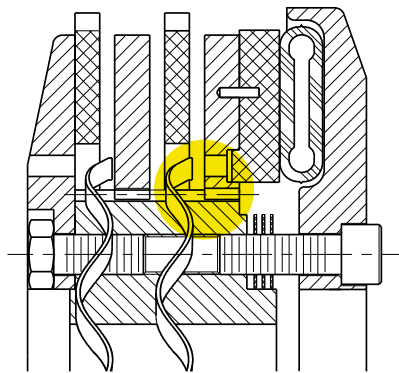
Power Grip Clutch with Coil Springs



The wave spring is designed to replace coil springs in older WPT Power Grip Clutches.

Extended Teeth Makes Re-Assembly Easier

WPT's patented extended tooth hub for Power Grip Clutches greatly assists in re-assembly of the clutch while mounted on a shaft. The extended teeth allow for all center/ floating plates to remain engaged on the hub teeth with the release springs in a relaxed state. Previous designs required special clamps to retain all parts on the hub until the airtube holding plate could be installed and the bolts installed.



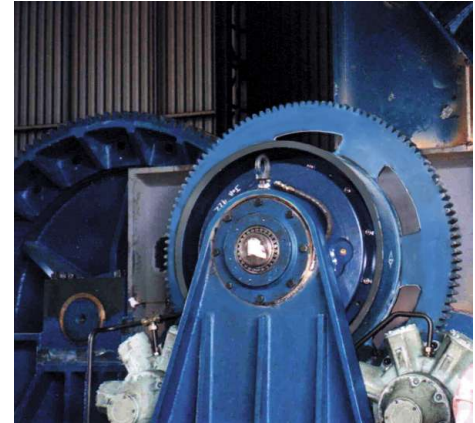
ENLARGED VIEW

This is just another of WPT's many innovations to give our customers the best possible product available.

Power Grip Clutches

The Power Grip Clutch is designed to accommodate in-line mounting for heavy duty power transmission. Used in conjunction with either a quick change or standard driving adapter, shown on page 3, the Power Grip Clutch is useful as a coupling clutch for shaft to shaft applications.

Split friction discs and airtubes are available to assist with maintenance. Air actuation with the airtube design allows for smooth control and remote actuation via a simple air valve.



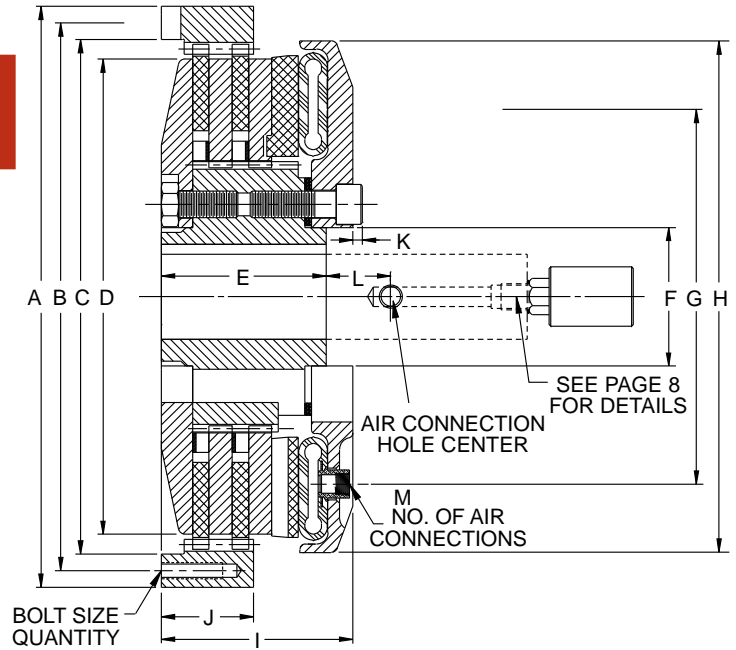
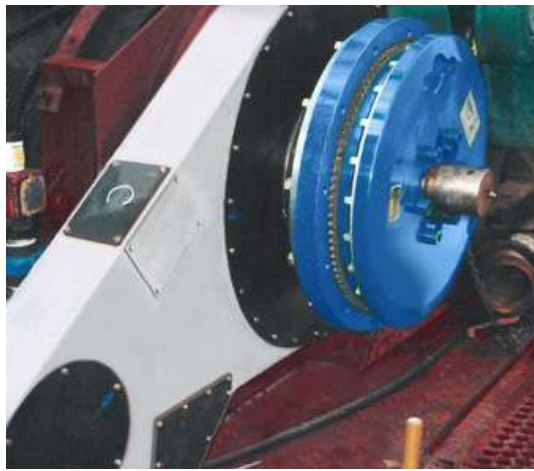
SPECIFICATIONS

| Model | Torque Rating @ 100 psi (lb-in) / 7 bar (Nm) | | | | Maximum Speed rpm | Weight and Inertia | | | | Bore Range | |
|--------|--|-----------|----------------|---------|----------------------|--------------------|---|------------------|---|---------------|--------------|
| | Static Torque | | Dynamic Torque | | | Total Weight | Total Inertia | Ring & FD Weight | Ring & FD Inertia | Minimum | Maximum |
| | lb-in | Nm | lb-in | Nm | | lbs (kgs) | lbft ² (wr ²) (kgm ² (J)) | lbs (kgs) | lbft ² (wr ²) (kgm ² (J)) | inches (mm) | inches (mm) |
| 108 | 7,300 | 835 | 5,500 | 630 | 3,600 | 30 (14) | 2.4 (0.102) | 8.3 (3.7) | 1.2 (0.048) | 0.94 (23.8) | 1.94 (49.2) |
| 208 | 14,600 | 1,670 | 11,000 | 1,260 | 3,600 | 20 (23) | 4.3 (0.179) | 17 (7.5) | 2.3 (0.098) | 0.94 (23.8) | 1.94 (49.2) |
| 308 | 21,900 | 2,505 | 16,500 | 1,890 | 3,600 | 67 (30) | 6.0 (0.254) | 25 (11) | 3.5 (0.149) | 1.13 (28.6) | 1.94 (49.2) |
| 111 | 16,600 | 1,905 | 12,450 | 1,425 | 2,650 | 55 (25) | 9.2 (0.388) | 19 (9) | 5.4 (0.227) | 1.25 (31.8) | 3.0 (76.2) |
| 211 | 33,200 | 3,810 | 24,900 | 2,850 | 2,650 | 96 (44) | 16.4 (0.690) | 37 (17) | 10.4 (0.438) | 1.25 (31.8) | 3.0 (76.2) |
| 311 | 49,800 | 5,715 | 37,350 | 4,275 | 2,650 | 132 (60) | 22.9 (0.965) | 52 (24) | 15.3 (0.645) | 1.25 (31.8) | 3.0 (76.2) |
| 114 | 29,150 | 3,345 | 21,900 | 2,510 | 2,180 | 124 (56) | 35.2 (1.49) | 38 (17) | 17.1 (0.721) | 2.13 (54.0) | 3.25 (82.6) |
| 214 | 58,300 | 6,690 | 43,800 | 5,020 | 2,180 | 176 (80) | 47.9 (2.02) | 57 (26) | 24.6 (1.04) | 2.13 (54.0) | 3.25 (82.6) |
| 314 | 87,450 | 10,035 | 65,700 | 7,530 | 2,180 | 239 (109) | 72.0 (3.04) | 97 (44) | 42.3 (1.79) | 2.13 (54.0) | 3.25 (82.6) |
| 114H | 35,400 | 4,065 | 26,600 | 3,050 | 2,180 | 161 (73) | 41.2 (1.74) | 38 (17) | 17.1 (0.721) | 2.13 (54.0) | 3.25 (82.6) |
| 214H | 70,800 | 8,130 | 53,200 | 6,100 | 2,180 | 212 (96) | 57.1 (2.41) | 57 (26) | 24.6 (1.04) | 2.13 (54.0) | 3.25 (82.6) |
| 314H | 106,200 | 12,195 | 79,800 | 9,150 | 2,180 | 290 (132) | 79.6 (3.36) | 97 (44) | 42.3 (1.79) | 2.13 (54.0) | 3.25 (82.6) |
| 116 | 39,750 | 4,560 | 29,800 | 3,420 | 1,900 | 218 (99) | 60.6 (2.56) | 41 (19) | 23.1 (0.973) | 2.13 (54.0) | 3.41 (86.6) |
| 216 | 79,500 | 9,120 | 59,600 | 6,840 | 1,900 | 296 (134) | 87.9 (3.71) | 79 (36) | 41.8 (1.76) | 2.13 (54.0) | 3.41 (86.6) |
| 316 | 119,250 | 13,680 | 89,400 | 10,260 | 1,900 | 380 (172) | 117 (4.93) | 116 (53) | 61.2 (2.58) | 2.13 (54.0) | 3.41 (86.6) |
| 118 | 66,400 | 7,620 | 49,800 | 5,715 | 1,750 | 277 (125) | 90 (3.78) | 44 (20) | 28.3 (1.19) | 2.38 (60.3) | 3.88 (98.4) |
| 218 | 132,800 | 15,240 | 99,600 | 11,430 | 1,750 | 397 (180) | 142 (6.00) | 95 (43) | 61.6 (2.60) | 2.38 (60.3) | 3.88 (98.4) |
| 318 | 199,200 | 22,860 | 149,400 | 17,145 | 1,750 | 501 (227) | 189 (7.97) | 144 (66) | 93.3 (3.94) | 2.38 (60.3) | 3.88 (98.4) |
| 118H | 82,000 | 9,405 | 61,500 | 7,055 | 1,750 | 294 (134) | 100 (4.22) | 44 (20) | 28.3 (1.19) | 2.38 (60.3) | 3.88 (98.4) |
| 218H | 164,000 | 18,810 | 123,000 | 14,110 | 1,750 | 414 (188) | 151 (6.36) | 95 (43) | 61.6 (2.60) | 2.38 (60.3) | 3.88 (98.4) |
| 318H | 246,000 | 28,215 | 184,500 | 21,165 | 1,750 | 525 (238) | 199 (8.40) | 144 (66) | 93.3 (3.94) | 2.38 (60.3) | 3.88 (98.4) |
| 121 | 95,400 | 10,950 | 71,500 | 8,205 | 1,525 | 390 (177) | 179 (7.57) | 63 (29) | 56.1 (2.37) | 2.75 (69.9) | 4.75 (120.7) |
| 221 | 190,800 | 21,900 | 143,000 | 16,410 | 1,525 | 566 (257) | 283 (12.0) | 138 (63) | 124 (5.22) | 2.75 (69.9) | 4.75 (120.7) |
| 321 | 286,200 | 32,850 | 214,500 | 24,615 | 1,525 | 738 (335) | 381 (16.1) | 210 (95) | 186 (7.83) | 2.75 (69.9) | 4.75 (120.7) |
| 124H | 160,600 | 18,435 | 120,500 | 13,830 | 1,350 | 593 (269) | 373 (15.7) | 115 (52) | 132 (5.55) | 2.75 (69.9) | 4.75 (120.7) |
| 224H | 321,200 | 36,870 | 241,000 | 27,660 | 1,350 | 800 (363) | 510 (21.5) | 190 (86) | 207 (8.75) | 2.75 (69.9) | 4.75 (120.7) |
| 324H | 481,800 | 55,305 | 361,500 | 41,490 | 1,350 | 993 (450) | 622 (26.2) | 250 (113) | 259 (10.9) | 2.75 (69.9) | 4.75 (120.7) |
| 124SHD | 206,950 | 23,745 | 155,200 | 17,810 | 1,350 | 613 (278) | 380 (16.1) | 115 (52) | 132 (5.55) | 2.75 (69.9) | 4.75 (120.7) |
| 224SHD | 413,900 | 47,490 | 310,400 | 35,620 | 1,350 | 820 (372) | 517 (21.8) | 190 (86) | 207 (8.75) | 2.75 (69.9) | 4.75 (120.7) |
| 324SHD | 620,850 | 71,235 | 465,600 | 53,430 | 1,350 | 1013 (460) | 629 (26.6) | 250 (113) | 259 (10.9) | 2.75 (69.9) | 4.75 (120.7) |
| 227 | 361,100 | 41,450 | 270,800 | 31,080 | 1,200 | 926 (420) | 696 (29.4) | 190 (86) | 250 (10.6) | 3.50 (88.9) | 7.00 (177.8) |
| 327 | 541,650 | 62,175 | 406,200 | 46,620 | 1,200 | 1,243 (564) | 949 (40.1) | 302 (137) | 399 (16.8) | 3.50 (88.9) | 7.00 (177.8) |
| 230H | 690,800 | 79,260 | 518,000 | 59,450 | 1,100 | 1,470 (667) | 1,315 (55.5) | 292 (132) | 444 (18.7) | 3.88 (98.5) | 7.00 (177.8) |
| 330H | 1,036,200 | 118,890 | 777,000 | 89,175 | 1,100 | 1,868 (847) | 1,704 (71.9) | 427 (194) | 647 (27.3) | 3.88 (98.5) | 7.00 (177.8) |
| 236 | 1,063,250 | 122,000 | 797,400 | 91,500 | 900 | 2,145 (973) | 2,955 (125) | 426 (193) | 956 (40.4) | 5.00 (127.0) | 9.0 (228.6) |
| 336 | 1,594,875 | 183,000 | 1,196,100 | 137,250 | 900 | 2,907 (1,318) | 3,319 (140) | 644 (292) | 980 (41.4) | 5.00 (127.0) | 9.0 (228.6) |
| 242 | 1,518,200 | 174,200 | 1,138,600 | 130,650 | 750 | 3,135 (1,422) | 5,466 (231) | 676 (307) | 2,235 (94.3) | 7.00 (177.8) | 11.0 (279.4) |
| 342 | 2,277,300 | 261,300 | 1,707,900 | 195,975 | 750 | 4,062 (1,843) | 7,478 (316) | 1,053 (478) | 3,489 (147) | 7.00 (177.8) | 11.0 (279.4) |
| 248 | 2,832,000 | 325,000 | 2,124,400 | 243,800 | 650 | 4,688 (2,127) | 10,743 (453) | 799 (362) | 3,386 (143) | 8.00 (203.2) | 12.0 (304.8) |
| 348 | 4,248,000 | 487,500 | 3,186,600 | 365,700 | 650 | 5,801 (2,631) | 13,501 (570) | 1,138 (516) | 4,786 (202) | 8.00 (203.2) | 12.0 (304.8) |
| 260 | 5,670,000 | 650,900 | 4,252,500 | 488,100 | 525 | 7,450 (3,379) | 22,752 (960) | 1,470 (667) | 8,546 (361) | 11.00 (279.4) | 15.0 (381.0) |
| 360 | 8,505,000 | 976,350 | 6,378,750 | 732,150 | 525 | 9,431 (4,278) | 30,978 (1,307) | 2,242 (1,017) | 13,028 (550) | 11.00 (279.4) | 15.0 (381.0) |
| 460 | 11,340,000 | 1,301,800 | 8,505,000 | 976,200 | 525 | 11,656 (5,287) | 39,545 (1,669) | 3,060 (1,388) | 17,868 (754) | 11.00 (279.4) | 15.0 (381.0) |

Consult WPT Engineering for application assistance and applicable safety/service factors.

Larger bore sizes may be accommodated, consult WPT Engineering.

Power Grip Clutches

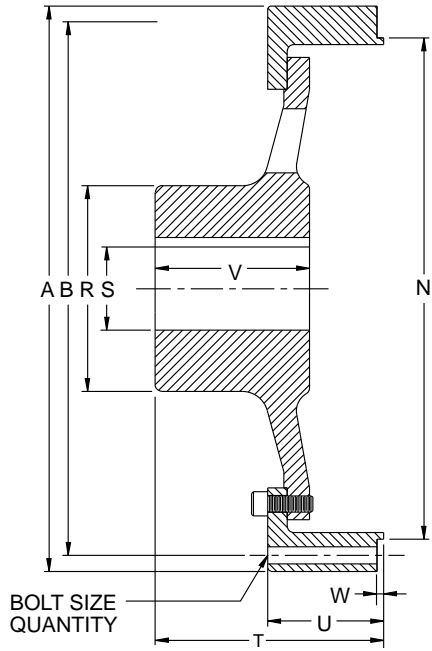


DIMENSIONS inches (mm)

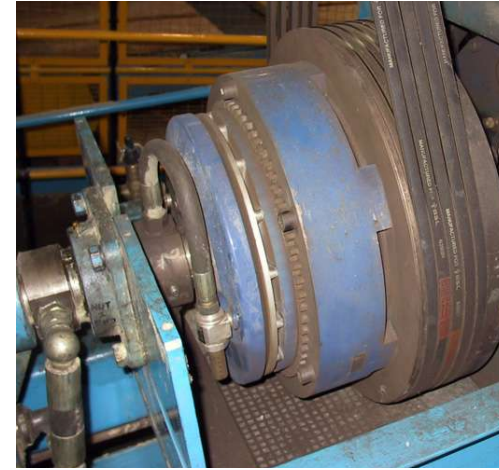
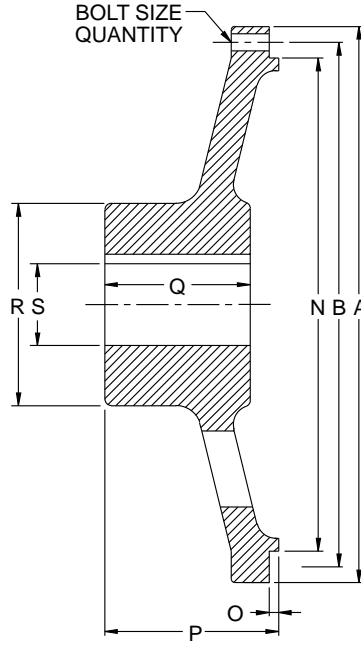
| SIZE | A | B | BOLT SIZE | QTY | C | | D | E | F | G | H | I | J | K |
|--------|------------------|------------------|-----------|-----|----------------------------------|--------------|-----------------|------------------|------------------|-------------------|------------------|-----------------|---------------|---|
| | | | | | + .003/- .000 (+ .076/- .000) | | | | | | | | | |
| 108 | 10 3/8 (263.53) | 9.625 (244.48) | 1/2-13 | 6 | 8.872 (225.35) | 8 (203.21) | 2 3/4 (69.85) | 1 61/64 (49.53) | 6 5/8 (168.28) | 9 5/8 (244.48) | 3 7/8 (98.43) | 1 3/8 (34.93) | 9/32 (7.14) | |
| 208 | 10 3/8 (263.53) | 9.625 (244.48) | 1/2-13 | 6 | 8.872 (225.35) | 8 (203.21) | 4 1/8 (104.78) | 1 61/64 (49.53) | 6 5/8 (168.28) | 9 5/8 (244.48) | 5 1/4 (133.35) | 2 3/4 (69.85) | 9/32 (7.14) | |
| 308 | 10 3/8 (263.53) | 9.625 (244.48) | 1/2-13 | 6 | 8.872 (225.35) | 8 (203.21) | 5 1/2 (139.70) | 1 61/64 (49.53) | 6 5/8 (168.28) | 9 5/8 (244.48) | 6 5/8 (168.28) | 4 1/8 (104.78) | 9/32 (7.14) | |
| 111 | 14 3/8 (365.13) | 13 3/8 (339.73) | 5/8-11 | 8 | 12.375 (314.33) | 11 (279.40) | 3 (76.20) | 3 1/64 (76.60) | 8 1/2 (215.90) | 11 15/16 (303.21) | 4 1/8 (104.78) | 1 1/2 (38.10) | 7/16 (11.11) | |
| 211 | 14 3/8 (365.13) | 13 3/8 (339.73) | 5/8-11 | 8 | 12.375 (314.33) | 11 (279.40) | 4 1/4 (107.95) | 3 1/64 (76.60) | 8 1/2 (215.90) | 11 15/16 (303.21) | 5 3/8 (136.53) | 2 7/8 (73.03) | 7/16 (11.11) | |
| 311 | 14 3/8 (365.13) | 13 3/8 (339.73) | 5/8-11 | 8 | 12.375 (314.33) | 11 (279.40) | 5 9/16 (141.29) | 3 1/64 (76.60) | 8 1/2 (215.90) | 11 15/16 (303.21) | 6 11/16 (169.86) | 4 3/16 (106.36) | 7/16 (11.11) | |
| 114 | 17 1/2 (444.50) | 16 1/4 (412.75) | 5/8-11 | 6 | 15.125 (384.18) | 14 (355.60) | 4 5/16 (109.54) | 4 1/2 (114.30) | 10 3/4 (273.05) | 14 3/8 (365.13) | 5 1/8 (130.18) | 1 7/8 (47.63) | 11/32 (8.73) | |
| 214 | 17 1/2 (444.50) | 16 1/4 (412.75) | 5/8-11 | 6 | 15.125 (384.18) | 14 (355.60) | 5 3/4 (146.05) | 4 1/2 (114.30) | 10 3/4 (273.05) | 14 3/8 (365.13) | 6 9/16 (166.69) | 3 1/4 (82.55) | 11/32 (8.73) | |
| 314 | 17 1/2 (444.50) | 16 1/4 (412.75) | 5/8-11 | 6 | 15.125 (384.18) | 14 (355.60) | 7 3/16 (182.56) | 4 1/2 (114.30) | 10 3/4 (273.05) | 14 3/8 (365.13) | 8 (203.20) | 4 3/4 (120.65) | 11/32 (8.73) | |
| 114H | 17 1/2 (444.50) | 16 1/4 (412.75) | 5/8-11 | 6 | 15.125 (384.18) | 14 (355.60) | 4 5/16 (109.54) | 4 1/2 (114.30) | 12 1/2 (317.50) | 16 5/16 (414.34) | 5 1/8 (130.18) | 1 7/8 (47.63) | - | |
| 214H | 17 1/2 (444.50) | 16 1/4 (412.75) | 5/8-11 | 6 | 15.125 (384.18) | 14 (355.60) | 5 3/4 (146.05) | 4 1/2 (114.30) | 12 1/2 (317.50) | 16 5/16 (414.34) | 6 5/8 (168.28) | 3 1/4 (82.55) | - | |
| 314H | 17 1/2 (444.50) | 16 1/4 (412.75) | 5/8-11 | 6 | 15.125 (384.18) | 14 (355.60) | 7 3/16 (182.56) | 4 1/2 (114.30) | 12 1/2 (317.50) | 16 5/16 (414.34) | 8 (203.20) | 4 3/4 (120.65) | - | |
| 116 | 20 (508.00) | 18 3/4 (476.25) | 5/8-11 | 6 | 17.500 (444.50) | 16 (406.40) | 4 5/16 (109.54) | 4 7/8 (123.83) | 12 1/2 (317.50) | 16 19/64 (413.94) | 5 3/16 (131.76) | 1 7/8 (47.63) | 3/4 (19.05) | |
| 216 | 20 (508.00) | 18 3/4 (476.25) | 5/8-11 | 6 | 17.500 (444.50) | 16 (406.40) | 5 3/4 (146.05) | 4 7/8 (123.83) | 12 1/2 (317.50) | 16 19/64 (413.94) | 6 9/16 (166.69) | 3 1/4 (82.55) | 3/4 (19.05) | |
| 316 | 20 (508.00) | 18 3/4 (476.25) | 5/8-11 | 6 | 17.500 (444.50) | 16 (406.40) | 7 1/4 (184.15) | 4 7/8 (123.83) | 12 1/2 (317.50) | 16 19/64 (413.94) | 8 (203.20) | 4 3/4 (120.65) | 3/4 (19.05) | |
| 118 | 22 (558.80) | 20 3/4 (527.05) | 5/8-11 | 6 | 19.500 (495.30) | 18 (457.20) | 4 3/4 (120.65) | 5 1/4 (133.35) | 14 3/16 (360.36) | 19 3/8 (492.13) | 5 11/16 (144.46) | 1 15/16 (49.21) | 3/8 (9.53) | |
| 218 | 22 (558.80) | 20 3/4 (527.05) | 5/8-11 | 6 | 19.500 (495.30) | 18 (457.20) | 6 1/4 (158.75) | 5 1/4 (133.35) | 14 3/16 (360.36) | 19 3/8 (492.13) | 7 1/4 (184.15) | 3 1/2 (88.90) | 3/8 (9.53) | |
| 318 | 22 (558.80) | 20 3/4 (527.05) | 5/8-11 | 6 | 19.500 (495.30) | 18 (457.20) | 7 3/4 (196.85) | 5 1/4 (133.35) | 14 3/16 (360.36) | 19 3/8 (492.13) | 8 7/8 (225.43) | 5 1/8 (130.18) | 3/8 (9.53) | |
| 118H | 22 (558.80) | 20 3/4 (527.05) | 5/8-11 | 6 | 19.500 (495.30) | 18 (457.20) | 4 3/4 (120.65) | 5 1/4 (133.35) | 16 (406.40) | 21 5/16 (541.34) | 5 11/16 (144.46) | 1 15/16 (49.21) | 1 (25.40) | |
| 218H | 22 (558.80) | 20 3/4 (527.05) | 5/8-11 | 6 | 19.500 (495.30) | 18 (457.20) | 6 1/4 (158.75) | 5 1/4 (133.35) | 16 (406.40) | 21 5/16 (541.34) | 7 1/4 (184.15) | 3 1/2 (88.90) | 1 (25.40) | |
| 318H | 22 (558.80) | 20 3/4 (527.05) | 5/8-11 | 6 | 19.500 (495.30) | 18 (457.20) | 7 3/4 (196.85) | 5 1/4 (133.35) | 16 (406.40) | 21 5/16 (541.34) | 8 3/4 (222.25) | 5 1/8 (130.18) | 1 (25.40) | |
| 121 | 25 (635.00) | 23 3/4 (603.25) | 5/8-11 | 6 | 22.500 (571.50) | 21 (533.40) | 5 7/8 (149.23) | 7 (177.80) | 16 (406.40) | 21 5/16 (541.34) | 6 9/16 (166.69) | 2 1/2 (63.50) | 1 (25.40) | |
| 221 | 25 (635.00) | 23 3/4 (603.25) | 5/8-11 | 6 | 22.500 (571.50) | 21 (533.40) | 7 1/4 (184.15) | 7 (177.80) | 16 (406.40) | 21 5/16 (541.34) | 8 3/8 (212.73) | 4 3/8 (111.13) | 1 (25.40) | |
| 321 | 25 (635.00) | 23 3/4 (603.25) | 5/8-11 | 6 | 22.500 (571.50) | 21 (533.40) | 8 5/8 (219.08) | 7 (177.80) | 16 (406.40) | 21 5/16 (541.34) | 10 1/8 (257.18) | 6 1/4 (158.75) | 1 (25.40) | |
| 124H | 28 (711.20) | 26 3/4 (679.45) | 5/8-11 | 6 | 25.500 (647.70) | 24 (609.60) | 5 7/8 (149.23) | 7 (177.80) | 21 (533.40) | 27 (685.80) | 6 3/4 (171.45) | 2 13/16 (71.44) | 1 (25.40) | |
| 224H | 28 (711.20) | 26 3/4 (679.45) | 5/8-11 | 6 | 25.500 (647.70) | 24 (609.60) | 7 1/4 (184.15) | 7 (177.80) | 21 (533.40) | 27 (685.80) | 8 1/2 (215.90) | 4 1/2 (114.30) | 1 (25.40) | |
| 324H | 28 (711.20) | 26 3/4 (679.45) | 5/8-11 | 6 | 25.500 (647.70) | 24 (609.60) | 9 3/8 (238.13) | 7 (177.80) | 21 (533.40) | 27 (685.80) | 10 1/2 (266.70) | 6 1/4 (158.75) | 1 (25.40) | |
| 124SHD | 28 (711.20) | 26 3/4 (679.45) | 5/8-11 | 6 | 25.500 (647.70) | 24 (609.60) | 5 7/8 (149.23) | 7 (177.80) | 21 (533.40) | 27 (685.80) | 6 7/8 (174.63) | 2 13/16 (71.44) | 1 (25.40) | |
| 224SHD | 28 (711.20) | 26 3/4 (679.45) | 5/8-11 | 6 | 25.500 (647.70) | 24 (609.60) | 7 1/4 (184.15) | 7 (177.80) | 21 (533.40) | 27 (685.80) | 8 1/2 (215.90) | 4 1/2 (114.30) | 1 (25.40) | |
| 324SHD | 28 (711.20) | 26 3/4 (679.45) | 5/8-11 | 6 | 25.500 (647.70) | 24 (609.60) | 9 3/8 (238.13) | 7 (177.80) | 21 (533.40) | 27 (685.80) | 10 1/2 (266.70) | 6 1/4 (158.75) | 1 (25.40) | |
| 227 | 31 (787.40) | 29 3/4 (755.65) | 5/8-11 | 12 | 28.500 (723.90) | 27 (685.80) | 7 (177.80) | 9 (228.60) | 21 (533.40) | 27 (685.80) | 8 3/4 (222.25) | 4 1/2 (114.30) | 1 (25.40) | |
| 327 | 31 (787.40) | 29 3/4 (755.65) | 5/8-11 | 12 | 28.500 (723.90) | 27 (685.80) | 9 (228.60) | 9 (228.60) | 21 (533.40) | 27 (685.80) | 10 3/4 (273.05) | 6 1/2 (165.10) | 1 (25.40) | |
| 230H | 34 (863.60) | 32 3/4 (831.85) | 5/8-11 | 12 | 31.500 (800.10) | 30 (762.00) | 8 1/2 (215.90) | 9 (228.60) | 24 3/4 (628.65) | 32 3/8 (822.33) | 10 3/4 (273.05) | 5 5/8 (142.88) | 1/4 (6.35) | |
| 330H | 34 (863.60) | 32 3/4 (831.85) | 5/8-11 | 12 | 31.500 (800.10) | 30 (762.00) | 10 7/8 (276.23) | 9 (228.60) | 24 3/4 (628.65) | 32 3/8 (822.33) | 12 3/4 (323.85) | 8 1/8 (206.38) | 1/4 (6.35) | |
| 236 | 41 (1041.40) | 39 3/4 (1009.65) | 5/8-11 | 16 | 38.500 (977.90) | 36 (914.40) | 9 3/4 (247.65) | 13 1/2 (342.90) | 30 1/2 (774.70) | 38 1/4 (971.55) | 11 7/8 (301.63) | 6 1/4 (158.75) | 1/4 (6.35) | |
| 336 | 41 (1041.40) | 39 3/4 (1009.65) | 5/8-11 | 16 | 38.500 (977.90) | 36 (914.40) | 12 7/8 (327.03) | 13 1/2 (342.90) | 30 1/2 (774.70) | 38 1/4 (971.55) | 14 3/4 (374.65) | 9 1/8 (231.78) | 1/4 (6.35) | |
| 242 | 49 1/4 (1250.95) | 47 1/4 (1200.15) | 1-8 | 12 | 45.000 (1143.00) | 42 (1066.80) | 10 1/2 (266.70) | 21 1/16 (534.99) | 35 (889.00) | 44 1/8 (1120.78) | 11 3/8 (288.93) | 6 1/2 (165.10) | 1 1/4 (31.75) | |
| 342 | 49 1/4 (1250.95) | 47 1/4 (1200.15) | 1-8 | 12 | 45.000 (1143.00) | 42 (1066.80) | 11 7/8 (301.63) | 21 1/16 (534.99) | 35 (889.00) | 44 1/8 (1120.78) | 14 1/8 (358.78) | 9 5/8 (244.48) | 1 1/4 (31.75) | |
| 248 | 56 (1422.41) | 54 (1371.61) | 1-8 | 12 | 52.000 (1320.81) | 48 (1219.20) | 10 7/8 (276.23) | 21 (533.40) | 40 (1016.00) | 52 3/8 (1330.33) | 13 (330.20) | 7 1/2 (190.50) | 3/4 (19.05) | |
| 348 | 56 (1422.41) | 54 (1371.61) | 1-8 | 12 | 52.000 (1320.81) | 48 (1219.20) | 13 5/8 (346.08) | 21 (533.40) | 40 (1016.00) | 52 3/8 (1330.33) | 15 3/4 (400.05) | 9 7/8 (250.83) | 3/4 (19.05) | |
| 260 | 66 3/4 (1695.46) | 64 3/4 (1644.66) | 1-8 | 24 | 62.750 (1593.86) | 60 (1524.01) | 16 1/4 (412.75) | 22 5/8 (574.68) | 46 1/2 (1181.10) | 61 1/2 (1562.11) | 16 1/4 (412.75) | 9 (228.60) | 1/4 (6.35) | |
| 360 | 66 3/4 (1695.46) | 64 3/4 (1644.66) | 1-8 | 24 | 62.750 (1593.86) | 60 (1524.01) | 20 (508.00) | 22 5/8 (574.68) | 46 1/2 (1181.10) | 61 1/2 (1562.11) | 20 (508.00) | 13 (330.20) | 1/4 (6.35) | |
| 460 | 66 3/4 (1695.46) | 64 3/4 (1644.66) | 1-8 | 24 | 62.750 (1593.86) | 60 (1524.01) | 23 1/2 (596.90) | 22 5/8 (574.68) | 46 1/2 (1181.10) | 61 1/2 (1562.11) | 23 1/2 (596.90) | 16 1/2 (419.10) | 1/4 (6.35) | |

Certified prints available on request. See page 8 for accessories and typical hosing arrangements.

Quick Change Driving Adapter



Standard Driving Adapter



| L | M QTY | N | | O | P | Q | R | S | | T | U | W | V | SIZE |
|----------------|----------|----------------------------------|--|------------|----------------|----------------|-----------------|---------------|------------------|------------------|------------------|-------------|-----------------|--------|
| | | + .000/- .003 (+ .000/- .076) | | | | | | MIN* | MAX* | | | | | |
| 2 1/4 (57.15) | 2 | 8.872 (225.35) | | 1/8 (3.18) | 3 1/8 (79.38) | 3 (76.20) | 3 3/4 (95.25) | 15/16 (23.81) | 2 5/8 (66.68) | - | - | - | - | 108 |
| 2 1/4 (57.15) | 2 | 8.872 (225.35) | | 1/8 (3.18) | 3 1/8 (79.38) | 3 (76.20) | 3 3/4 (95.25) | 15/16 (23.81) | 2 5/8 (66.68) | - | - | - | - | 208 |
| 2 1/4 (57.15) | 2 | 8.872 (225.35) | | 1/8 (3.18) | 3 1/8 (79.38) | 3 (76.20) | 3 3/4 (95.25) | 15/16 (23.81) | 2 5/8 (66.68) | - | - | - | - | 308 |
| 2 1/2 (63.50) | 2 | 12.374 (314.30) | | 1/8 (3.18) | 3 5/8 (92.08) | 3 1/4 (82.55) | 6 1/4 (158.75) | 1 3/8 (34.93) | 4 7/16 (111.13) | - | - | - | - | 111 |
| 2 1/2 (63.50) | 2 | 12.374 (314.30) | | 1/8 (3.18) | 3 5/8 (92.08) | 3 1/4 (82.55) | 6 1/4 (158.75) | 1 3/8 (34.93) | 4 7/16 (111.13) | - | - | - | - | 211 |
| 2 1/2 (63.50) | 2 | 12.374 (314.30) | | 1/8 (3.18) | 3 5/8 (92.08) | 3 1/4 (82.55) | 6 1/4 (158.75) | 1 3/8 (34.93) | 4 7/16 (111.13) | - | - | - | - | 311 |
| 2 1/4 (57.15) | 2 | 15.124 (384.15) | | 1/4 (6.35) | 5 3/8 (136.53) | 4 3/4 (120.65) | 7 (177.80) | 1 5/8 (41.28) | 4 7/8 (123.83) | 5 1/2 (139.70) | 3 3/8 (85.73) | 1/8 (3.18) | 3 1/4 (82.55) | 114 |
| 2 1/4 (57.15) | 2 | 15.124 (384.15) | | 1/4 (6.35) | 5 3/8 (136.53) | 4 3/4 (120.65) | 7 (177.80) | 1 5/8 (41.28) | 4 7/8 (123.83) | 5 1/2 (139.70) | 3 3/8 (85.73) | 1/8 (3.18) | 3 1/4 (82.55) | 214 |
| 2 1/4 (57.15) | 2 | 15.124 (384.15) | | 1/4 (6.35) | 5 3/8 (136.53) | 4 3/4 (120.65) | 7 (177.80) | 1 5/8 (41.28) | 4 7/8 (123.83) | 5 1/2 (139.70) | 3 3/8 (85.73) | 1/8 (3.18) | 3 1/4 (82.55) | 314 |
| 2 1/4 (57.15) | 2 | 15.124 (384.15) | | 1/4 (6.35) | 5 3/8 (136.53) | 4 3/4 (120.65) | 7 (177.80) | 1 5/8 (41.28) | 4 7/8 (123.83) | 5 1/2 (139.70) | 3 3/8 (85.73) | 1/8 (3.18) | 3 1/4 (82.55) | 114H |
| 2 1/4 (57.15) | 2 | 15.124 (384.15) | | 1/4 (6.35) | 5 3/8 (136.53) | 4 3/4 (120.65) | 7 (177.80) | 1 5/8 (41.28) | 4 7/8 (123.83) | 5 1/2 (139.70) | 3 3/8 (85.73) | 1/8 (3.18) | 3 1/4 (82.55) | 214H |
| 2 1/4 (57.15) | 2 | 15.124 (384.15) | | 1/4 (6.35) | 5 3/8 (136.53) | 4 3/4 (120.65) | 7 (177.80) | 1 5/8 (41.28) | 4 7/8 (123.83) | 5 1/2 (139.70) | 3 3/8 (85.73) | 1/8 (3.18) | 3 1/4 (82.55) | 314H |
| 2 1/4 (57.15) | 2 | 17.499 (444.48) | | 1/4 (6.35) | 6 1/8 (155.58) | 5 1/2 (139.70) | 7 (177.80) | 1 7/8 (47.63) | 4 7/8 (123.83) | 7 9/16 (192.09) | 3 11/16 (93.66) | 1/8 (3.18) | 5 1/2 (139.70) | 116 |
| 2 1/4 (57.15) | 2 | 17.499 (444.48) | | 1/4 (6.35) | 6 1/8 (155.58) | 5 1/2 (139.70) | 7 (177.80) | 1 7/8 (47.63) | 4 7/8 (123.83) | 7 9/16 (192.09) | 3 11/16 (93.66) | 1/8 (3.18) | 5 1/2 (139.70) | 216 |
| 2 1/4 (57.15) | 2 | 17.499 (444.48) | | 1/4 (6.35) | 6 1/8 (155.58) | 5 1/2 (139.70) | 7 (177.80) | 1 7/8 (47.63) | 4 7/8 (123.83) | 7 9/16 (192.09) | 3 11/16 (93.66) | 1/8 (3.18) | 5 1/2 (139.70) | 316 |
| 2 7/16 (61.91) | 3 | 19.499 (495.28) | | 3/8 (9.53) | 6 7/8 (174.63) | 5 3/4 (146.05) | 8 (203.20) | 2 1/4 (57.15) | 5 5/8 (142.88) | 8 (203.20) | 4 1/2 (114.30) | 1/4 (6.35) | 6 (152.40) | 118 |
| 2 7/16 (61.91) | 3 | 19.499 (495.28) | | 3/8 (9.53) | 6 7/8 (174.63) | 5 3/4 (146.05) | 8 (203.20) | 2 1/4 (57.15) | 5 5/8 (142.88) | 8 (203.20) | 4 1/2 (114.30) | 1/4 (6.35) | 6 (152.40) | 218 |
| 2 7/16 (61.91) | 3 | 19.499 (495.28) | | 3/8 (9.53) | 6 7/8 (174.63) | 5 3/4 (146.05) | 8 (203.20) | 2 1/4 (57.15) | 5 5/8 (142.88) | 8 (203.20) | 4 1/2 (114.30) | 1/4 (6.35) | 6 (152.40) | 318 |
| 2 7/16 (61.91) | 3 | 19.499 (495.28) | | 3/8 (9.53) | 6 7/8 (174.63) | 5 3/4 (146.05) | 8 (203.20) | 2 1/4 (57.15) | 5 5/8 (142.88) | 8 (203.20) | 4 1/2 (114.30) | 1/4 (6.35) | 6 (152.40) | 118H |
| 2 7/16 (61.91) | 3 | 19.499 (495.28) | | 3/8 (9.53) | 6 7/8 (174.63) | 5 3/4 (146.05) | 8 (203.20) | 2 1/4 (57.15) | 5 5/8 (142.88) | 8 (203.20) | 4 1/2 (114.30) | 1/4 (6.35) | 6 (152.40) | 218H |
| 2 7/16 (61.91) | 3 | 19.499 (495.28) | | 3/8 (9.53) | 6 7/8 (174.63) | 5 3/4 (146.05) | 8 (203.20) | 2 1/4 (57.15) | 5 5/8 (142.88) | 8 (203.20) | 4 1/2 (114.30) | 1/4 (6.35) | 6 (152.40) | 318H |
| 2 3/8 (60.33) | 3 | 22.499 (571.48) | | 1/4 (6.35) | 6 3/4 (171.45) | 6 (152.40) | 9 1/2 (241.30) | 2 1/2 (63.50) | 6 5/8 (168.28) | 10 1/2 (266.70) | 6 1/2 (165.10) | 1/4 (6.35) | 6 (152.40) | 121 |
| 2 3/8 (60.33) | 3 | 22.499 (571.48) | | 1/4 (6.35) | 6 3/4 (171.45) | 6 (152.40) | 9 1/2 (241.30) | 2 1/2 (63.50) | 6 5/8 (168.28) | 10 1/2 (266.70) | 6 1/2 (165.10) | 1/4 (6.35) | 6 (152.40) | 221 |
| 2 3/8 (60.33) | 3 | 22.499 (571.48) | | 1/4 (6.35) | 6 3/4 (171.45) | 6 (152.40) | 9 1/2 (241.30) | 2 1/2 (63.50) | 6 5/8 (168.28) | 10 1/2 (266.70) | 6 1/2 (165.10) | 1/4 (6.35) | 6 (152.40) | 321 |
| 2 3/4 (69.85) | 3 | 25.498 (647.65) | | - | - | - | 10 (254.00) | 3 (76.20) | 7 (177.80) | 11 1/8 (282.58) | 5 5/8 (142.88) | 1/8 (3.18) | 7 5/16 (185.74) | 124H |
| 2 3/4 (69.85) | 3 | 25.498 (647.65) | | - | - | - | 10 (254.00) | 3 (76.20) | 7 (177.80) | 11 1/8 (282.58) | 5 5/8 (142.88) | 1/8 (3.18) | 7 5/16 (185.74) | 224H |
| 2 3/4 (69.85) | 3 | 25.498 (647.65) | | - | - | - | 10 (254.00) | 3 (76.20) | 7 (177.80) | 11 1/8 (282.58) | 5 5/8 (142.88) | 1/8 (3.18) | 7 5/16 (185.74) | 324H |
| 2 3/4 (69.85) | 2 | 25.498 (647.65) | | - | - | - | 10 (254.00) | 3 (76.20) | 7 (177.80) | 11 1/8 (282.58) | 5 5/8 (142.88) | 1/8 (3.18) | 7 5/16 (185.74) | 124SHD |
| 2 3/4 (69.85) | 2 | 25.498 (647.65) | | - | - | - | 10 (254.00) | 3 (76.20) | 7 (177.80) | 11 1/8 (282.58) | 5 5/8 (142.88) | 1/8 (3.18) | 7 5/16 (185.74) | 224SHD |
| 2 3/4 (69.85) | 2 | 25.498 (647.65) | | - | - | - | 10 (254.00) | 3 (76.20) | 7 (177.80) | 11 1/8 (282.58) | 5 5/8 (142.88) | 1/8 (3.18) | 7 5/16 (185.74) | 324SHD |
| 2 3/8 (60.33) | 3 | 28.498 (723.85) | | - | - | - | 11 1/2 (292.10) | 5 (127.00) | 8 (203.20) | 7 15/16 (201.61) | 2 3/8 (60.33) | 1/8 (3.18) | 7 5/16 (185.74) | 227 |
| 2 3/8 (60.33) | 3 | 28.498 (723.85) | | - | - | - | 11 1/2 (292.10) | 5 (127.00) | 8 (203.20) | 7 15/16 (201.61) | 2 3/8 (60.33) | 1/8 (3.18) | 7 5/16 (185.74) | 327 |
| 2 7/8 (73.03) | 4 | 31.498 (800.05) | | - | - | - | 14 (355.60) | 3 1/2 (88.90) | 9 3/4 (247.65) | 12 1/2 (317.50) | 6 (152.40) | 1/4 (6.35) | 8 3/4 (222.25) | 230H |
| 2 7/8 (73.03) | 4 | 31.498 (800.05) | | - | - | - | 14 (355.60) | 3 1/2 (88.90) | 9 3/4 (247.65) | 12 1/2 (317.50) | 6 (152.40) | 1/4 (6.35) | 8 3/4 (222.25) | 330H |
| 2 7/8 (73.03) | 4 | 38.498 (977.85) | | - | - | - | 14 (355.60) | 6 (152.40) | 9 3/4 (247.65) | 12 1/4 (311.15) | 4 3/8 (111.13) | 1/4 (6.35) | 10 (254.00) | 236 |
| 2 7/8 (73.03) | 4 | 38.498 (977.85) | | - | - | - | 14 (355.60) | 6 (152.40) | 9 3/4 (247.65) | 12 1/4 (311.15) | 4 3/8 (111.13) | 1/4 (6.35) | 10 (254.00) | 336 |
| 3 1/2 (88.90) | 4 | 44.998 (1142.95) | | - | - | - | 18 (457.20) | 7 (177.80) | 12 9/16 (319.09) | 13 7/16 (341.31) | 5 15/16 (150.81) | 1/4 (6.35) | 10 (254.00) | 242 |
| 3 1/2 (88.90) | 4 | 44.998 (1142.95) | | - | - | - | 18 (457.20) | 7 (177.80) | 12 9/16 (319.09) | 13 7/16 (341.31) | 5 15/16 (150.81) | 1/4 (6.35) | 10 (254.00) | 342 |
| 3 1/2 (88.90) | 4 | 51.998 (1320.75) | | - | - | - | 20 (508.00) | 8 (203.20) | 14 (355.60) | 16 3/4 (425.45) | 6 5/8 (168.28) | 1/2 (12.70) | 13 5/8 (346.08) | 248 |
| 3 1/2 (88.90) | 4 | 51.998 (1320.75) | | - | - | - | 20 (508.00) | 8 (203.20) | 14 (355.60) | 16 3/4 (425.45) | 6 5/8 (168.28) | 1/2 (12.70) | 13 5/8 (346.08) | 348 |
| 2 (50.80) | 6 | 62.748 (1593.81) | | - | - | - | 24 (609.60) | 10 (254.00) | 16 3/4 (425.45) | 24 1/8 (612.78) | 11 7/8 (301.63) | 3/8 (9.53) | 16 1/4 (412.75) | 260 |
| 2 (50.80) | 6 | 62.748 (1593.81) | | - | - | - | 24 (609.60) | 10 (254.00) | 16 3/4 (425.45) | 24 1/8 (612.78) | 11 7/8 (301.63) | 3/8 (9.53) | 16 1/4 (412.75) | 360 |
| 2 (50.80) | 6 | 62.748 (1593.81) | | - | - | - | 24 (609.60) | 10 (254.00) | 16 3/4 (425.45) | 24 1/8 (612.78) | 11 7/8 (301.63) | 3/8 (9.53) | 16 1/4 (412.75) | 460 |

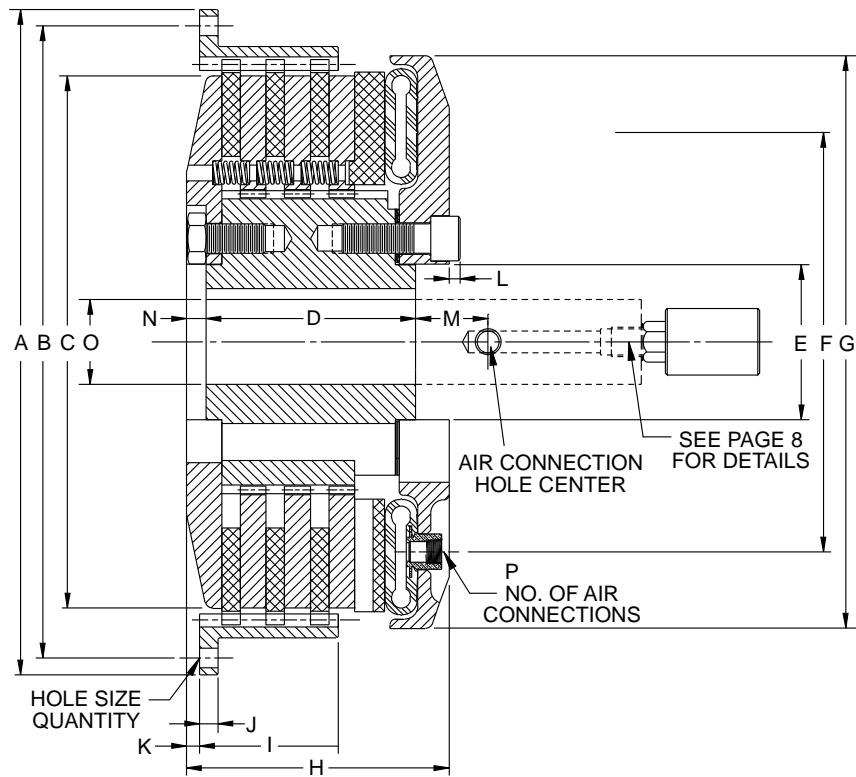
*For clutch min/max bores see Specification Table on page 1.

Power Grip High Speed Clutches

Power Grip High Speed Clutches are designed to withstand severe applications mounted to internal combustion engines. The drive rings will fit standard SAE industrial flywheels. Heavy duty laminated gear teeth friction discs are designed to withstand heavy shock loads and torsional vibrations. Clutches are balanced to the maximum speeds shown below. Do not exceed the capacities in the chart below for internal combustion engines.

| Clutch Size | Max hp (Kw) per 100 rpm | Max hp (Kw) @ max rpm | Max Speed rpm |
|-------------|-------------------------|-----------------------|---------------|
| 214H | 22 (16) | 500 (370) | 2,500 |
| 314H | 33 (25) | 750 (560) | 2,500 |
| 218 | 38 (28) | 800 (600) | 2,300 |
| 318 | 60 (45) | 1,250 (930) | 2,300 |
| 321 | 117 (87) | 2,100 (1565) | 1,950 |

For starting high inertia loads requiring more than a 2-3 second start, consult WPT Engineering for selection assistance.



DIMENSIONS inches (mm)

| SIZE | A | B | HOLE SIZE | QTY | C | D | E | F | G | H | I | J | K |
|------|----------------------------------|--------------------|------------------|-----|----------------|---------------------|-------------------|---------------------|---------------------|--------------------|---------------------|----------------|----------------|
| | +0.000/-0.005 (+0.000/-0.127) | | | | | | | | | | | | |
| 214H | 18.375 (466.73) | 17 1/4 (438.15) | 17/32 (13.49) | 8 | 14 (355.60) | 5 3/4 (146.05) | 4 1/2 (114.30) | 12 1/2 (317.50) | 16 5/16 (414.34) | 6 1/2 (165.10) | 2 3/8 (60.33) | 1/2 (12.70) | 3/4 (19.05) |
| 314H | 18.375 (466.73) | 17 1/4 (438.15) | 17/32 (13.49) | 8 | 14 (355.60) | 7 3/16 (182.56) | 4 1/2 (114.30) | 12 1/2 (317.50) | 16 5/16 (414.34) | 8 (203.20) | 4 (101.60) | 1/2 (12.70) | 3/4 (19.05) |
| 218 | 22.500 (571.50) | 21 3/8 (542.93) | 21/32 (16.67) | 6 | 18 (457.20) | 5 13/16 (147.64) | 5 1/4 (133.35) | 14 3/16 (360.36) | 20 (508.00) | 7 1/8 (180.98) | 3 5/8 (92.08) | 5/8 (15.88) | 3/8 (9.53) |
| 318 | 22.500 (571.50) | 21 3/8 (542.93) | 21/32 (16.67) | 6 | 18 (457.20) | 7 3/4 (196.85) | 5 1/4 (133.35) | 14 3/16 (360.36) | 20 (508.00) | 8 7/8 (225.43) | 4 11/16 (119.06) | 5/8 (15.88) | 3/8 (9.53) |
| 321 | 26.500 (673.10) | 22 1/4 (571.50) | 21/32 (16.67) | 12 | 21 (533.40) | 8 5/8 (219.08) | 7 (177.80) | 16 (406.40) | 21 5/16 (541.34) | 10 1/8 (257.18) | 5 (127.00) | 5/8 (15.88) | 3/4 (19.05) |

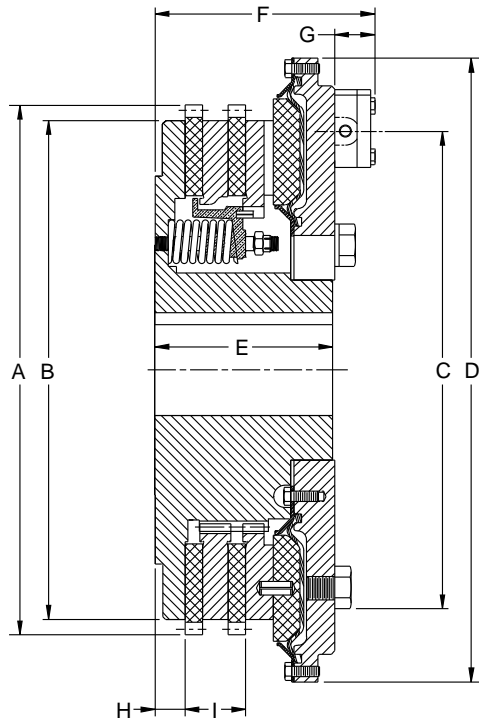


| SIZE | L | M | N | O MIN | O MAX | P QTY |
|------|---------------|-------------------|-----------------|----------------|-----------------|-------|
| 214H | - | 2 1/4 (57.15) | - | 2.13 (54.0) | 3.25 (82.6) | 2 |
| 314H | - | 2 1/4 (57.15) | - | 2.13 (54.0) | 3.25 (82.6) | 2 |
| 218 | 3/8 (9.53) | 2 7/16 (61.91) | 7/16 (11.11) | 2.38 (60.3) | 3.88 (98.4) | 3 |
| 318 | 3/8 (9.53) | 2 7/16 (61.91) | - | 2.38 (60.3) | 3.88 (98.4) | 3 |
| 321 | 1 (25.40) | 2 3/8 (60.33) | 1/2 (12.70) | 2.75 (69.9) | 4.75 (120.7) | 3 |

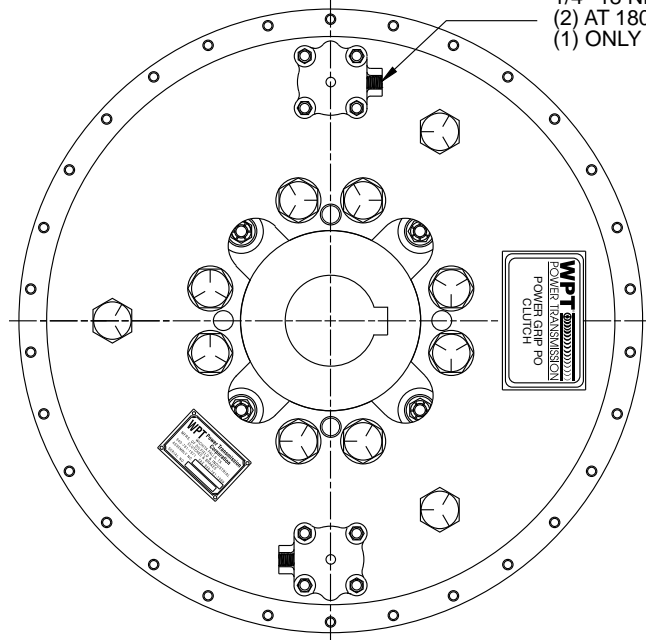
Driving ring mounts to standard SAE industrial flywheel.

Larger bore sizes may be accommodated. Consult with WPT Engineering.

Power Grip PO Clutches



AIR CONNECTION
1/4"-18 NPFT
(2) AT 180"
(1) ONLY ON 14"



DIMENSIONS inches (mm)

| SIZE | A (ref only) | B | C | D | E | F | G | H | I |
|------|--------------------|----------------|---------------------|--------------------|----------------------|----------------------|-------------------|-------------------|---------------------|
| 114 | 15 1/8 (384.2) | 14 (355.60) | 13 1/4 (336.55) | 18 1/2 (469.90) | 4 25/64 (111.52) | 5 7/8 (149.23) | 1 7/16 (36.51) | 7/8 (22.23) | 5/8 (15.88) |
| 214 | 15 1/8 (384.2) | 14 (355.60) | 13 1/4 (336.55) | 18 1/2 (469.90) | 5 25/32 (146.84) | 7 1/4 (184.15) | 1 7/16 (36.51) | 7/8 (22.23) | 1 29/32 (48.42) |
| 314 | 15 1/8 (384.2) | 14 (355.60) | 13 1/4 (336.55) | 18 1/2 (469.90) | 7 9/64 (181.37) | 8 19/32 (218.28) | 1 7/16 (36.51) | 7/8 (22.23) | 3 3/16 (80.96) |
| 118 | 19 1/8 (485.8) | 18 (457.20) | 17 1/4 (438.15) | 22 1/2 (571.50) | 4 51/64 (121.84) | 6 7/32 (157.96) | 1 7/16 (36.51) | 1 5/64 (27.38) | 5/8 (15.88) |
| 218 | 19 1/8 (485.8) | 18 (457.20) | 17 1/4 (438.15) | 22 1/2 (571.50) | 6 27/64 (163.12) | 7 29/32 (200.82) | 1 7/16 (36.51) | 1 5/64 (27.38) | 2 3/16 (55.56) |
| 318 | 19 1/8 (485.8) | 18 (457.20) | 17 1/4 (438.15) | 22 1/2 (571.50) | 8 3/64 (204.39) | 9 61/64 (252.81) | 1 7/16 (36.51) | 1 5/64 (27.38) | 3 3/4 (95.25) |
| 124 | 25 1/16 (636.6) | 24 (609.60) | 23 1/2 (596.90) | 28 7/8 (733.43) | 5 31/32 (151.61) | 7 29/64 (189.31) | 1 7/16 (36.51) | 1 7/16 (36.51) | 7/8 (22.23) |
| 224 | 25 1/16 (636.6) | 24 (609.60) | 23 1/2 (596.90) | 28 7/8 (733.43) | 7 5/8 (193.68) | 9 7/64 (231.38) | 1 7/16 (36.51) | 1 7/16 (36.51) | 2 17/32 (64.29) |
| 324 | 25 1/16 (636.6) | 24 (609.60) | 23 1/2 (596.90) | 28 7/8 (733.43) | 9 3/8 (238.13) | 10 49/64 (273.45) | 1 7/16 (36.51) | 1 7/16 (36.51) | 4 3/16 (106.36) |
| 230 | 31 1/8 (790.58) | 30 (762.00) | 29 3/32 (738.98) | 34 1/2 (876.30) | 8 31/64 (215.50) | 9 29/32 (251.62) | 1 7/16 (36.51) | 1 7/8 (47.63) | 2 43/64 (67.87) |
| 330 | 31 1/8 (790.58) | 30 (762.00) | 29 3/32 (738.98) | 34 1/2 (876.30) | 10 25/64 (263.92) | 11 27/32 (300.83) | 1 7/16 (36.51) | 1 7/8 (47.63) | 4 15/32 (113.51) |

Certified prints available on request.

Power Grip PO Clutches

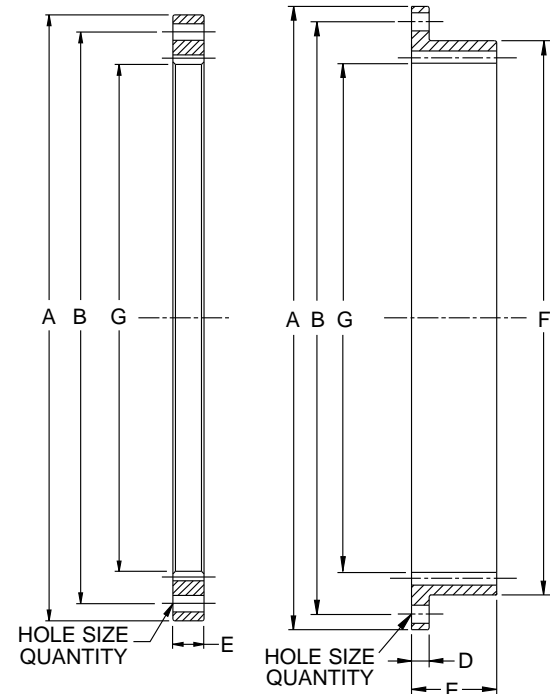
SPECIFICATIONS

| Model | Torque Ratings @ 100 psi (lb-in)/7 bar (Nm) | | | | Maximum Speed | Weight | Bore Range | |
|-------|---|---------|----------------|--------|---------------|-------------|-------------|--------------|
| | Static Torque | | Dynamic Torque | | | | Minimum | Maximum |
| | lb-in | Nm | lb-in | Nm | rpm | lbs (kgs) | inches (mm) | inches (mm) |
| 114 | 38,400 | 4,410 | 28,800 | 3,305 | 2,450 | 145 (66) | 2.00 (50.8) | 3.50 (88.9) |
| 214 | 76,800 | 8,820 | 57,600 | 6,610 | 2,450 | 185 (84) | 2.00 (50.8) | 3.50 (88.9) |
| 314 | 115,200 | 13,230 | 86,400 | 9,915 | 2,450 | 220 (100) | 2.00 (50.8) | 3.50 (88.9) |
| 118 | 78,500 | 9,015 | 58,875 | 6,760 | 2,000 | 280 (127) | 2.94 (74.6) | 4.55 (115.6) |
| 218 | 157,000 | 18,030 | 117,750 | 13,520 | 2,000 | 360 (163) | 2.94 (74.6) | 4.55 (115.6) |
| 318 | 235,500 | 27,045 | 176,625 | 20,280 | 2,000 | 430 (195) | 2.94 (74.6) | 4.55 (115.6) |
| 124 | 188,300 | 21,630 | 141,225 | 16,220 | 1,500 | 570 (259) | 3.00 (76.2) | 6.00 (142.4) |
| 224 | 376,600 | 43,260 | 282,450 | 32,440 | 1,500 | 725 (329) | 3.00 (76.2) | 6.00 (142.4) |
| 324 | 564,900 | 64,890 | 423,675 | 48,660 | 1,500 | 880 (399) | 3.50 (88.9) | 6.00 (142.4) |
| 230 | 731,000 | 83,970 | 548,250 | 62,980 | 1,300 | 1,220 (553) | 3.75 (95.3) | 7.00 (177.8) |
| 330 | 1,096,500 | 125,955 | 822,375 | 94,470 | 1,300 | 1,400 (635) | 3.75 (95.3) | 7.00 (177.8) |

Consult WPT Engineering for application assistance and applicable safety/service factors.

TYPE A

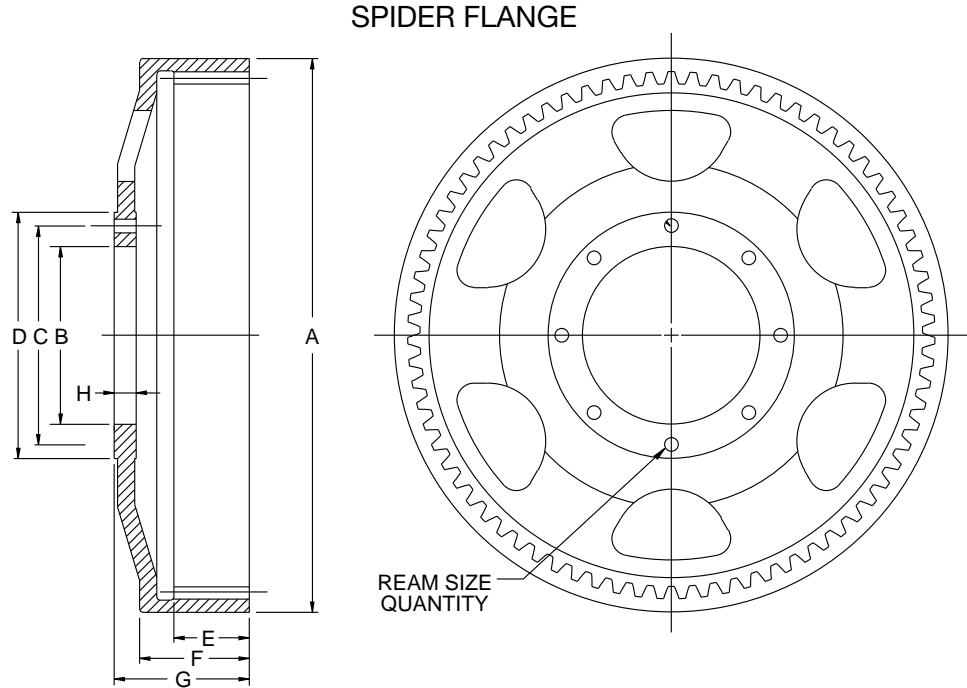
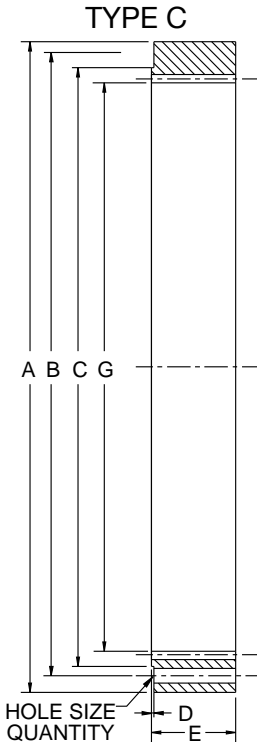
TYPE B



DRIVE RING DIMENSIONS inches (mm)

| SIZE | RING TYPE | A | B | C | D | E | F | G (ref only) | HOLE SIZE | QTY | NO. OF TEETH | WEIGHT lbs (kgs) |
|------|-----------|----------------------------------|--------------------|----------------------------------|----------------|-------------------|--------------------|----------------------|-------------------|-----|--------------|---------------------|
| | | +0.000/-0.005 (+0.000/-0.127) | | +0.000/-0.005 (+0.000/-0.127) | | | | | | | | |
| 114 | B | 18.375 (466.73) | 17 1/4 (438.15) | - | 1/2 (12.70) | 1 1/8 (28.58) | 16 (406.40) | 14 23/64 (364.7) | 17/32 (13.49) | 8 | 59 | 17 (7.7) |
| 214 | B | | | | | 2 3/8 (60.33) | | | | | | 26 (11.8) |
| 314 | B | | | | | 4 (101.60) | | | | | | 43 (19.5) |
| 118 | B | 22.500 (571.50) | 21 3/8 (542.93) | - | 5/8 (15.88) | 1 1/8 (28.58) | 20 (508.00) | 18 3/8 (466.7) | 21 /32 (16.67) | 6 | 75 | 24 (11) |
| 218 | B | | | | | 3 1/16 (77.79) | | | | | | 43 (19.5) |
| 318 | B | | | | | 4 1/4 (107.95) | | | | | | 55 (25) |
| 124 | A | 28.875 (733.43) | 27 1/4 (692.15) | - | 3/4 (19.05) | 1 1/2 (38.10) | 25 7/8 (657.23) | 24 25/64 (619.52) | 25/32 (19.84) | 12 | 99 | 65 (30) |
| 224 | B | | | | | 3 1/2 (88.90) | | | | | | 67 (31) |
| 324 | B | | | | | 5 1/2 (139.70) | | | | | | 88 (40) |
| 230 | C | 34.750 (882.65) | 33 (838.20) | 32.000 (812.80) | 1/8 (3.18) | 4 1/2 (114.30) | - | 30 23/64 (771.13) | 25/32 (19.84) | 12 | 123 | 230 (104) |
| 330 | C | | | | | 7 (177.80) | | | | | | 361 (377) |

- Plate separators and oversize release springs insure positive mechanical plate separation.
- No adjustments for the life of the friction material. Diaphragm compensates for wear.
- All clutches come standard with mechanical lockup feature for emergency use.
- Large diaphragm actuator provides more torque and minimizes release drag.
- Retained springs within the plate separator allow for easier servicing.
- Quick release valves are included on all clutches.

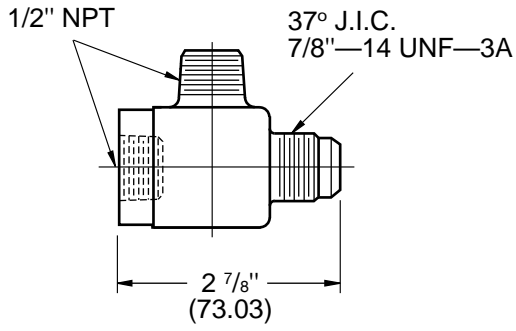


SPIDER FLANGE DIMENSIONS inches (mm)

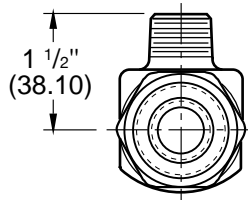
| SIZE | A | B | C | D | E | F | G | H | REAM SIZE | QTY | WEIGHT lbs (kgs) |
|------|--------------------|----------------------------------|----------------|--------------------|--------------------|---------------------|---------------------|------------------|-----------------|-----|---------------------|
| | | + .002/- .000 (+ .051/- .000) | | | | | | | | | |
| 114 | | | | | 7/8 (22.23) | 2 1/16 (52.39) | 3 1/8 (79.38) | | | | 27 (12.2) |
| 214 | 16 (406.40) | 6.500 (165.10) | 8 (203.20) | 9 (228.60) | 2 1/4 (57.15) | 3 7/16 (87.31) | 4 1/2 (114.30) | 5/8 (15.88) | .500 (12.70) | 8 | 38 (17) |
| 314 | | | | | 3 3/4 (95.25) | 4 15/16 (125.41) | 6 (152.40) | | | | 49 (22) |
| 118 | | | | | 1 1/16 (26.99) | 2 5/16 (58.74) | 3 1/4 (82.55) | | | | 56 (25) |
| 218 | 20 1/4 (514.35) | 6.500 (165.10) | 8 (203.20) | 9 (228.60) | 2 3/4 (69.85) | 4 (101.60) | 4 15/16 (125.41) | 13/16 (20.64) | .500 (12.70) | 8 | 82 (37) |
| 318 | | | | | 4 1/8 (104.78) | 5 3/8 (136.53) | 6 5/16 (160.34) | | | | 99 (45) |
| 124 | | | | | 1 3/8 (34.93) | 3 1/4 (82.55) | 4 1/2 (114.30) | | | | 121 (55) |
| 224 | 26 1/4 (666.75) | 8.000 (203.20) | 10 (254.00) | 11 1/2 (292.10) | 3 1/4 (82.55) | 5 1/8 (130.18) | 6 3/8 (161.93) | 15/16 (23.81) | .625 (15.88) | 8 | 154 (70) |
| 324 | | | | | 5 3/16 (131.76) | 7 1/16 (179.39) | 8 5/16 (211.14) | | | | 181 (82) |

ACCESSORIES

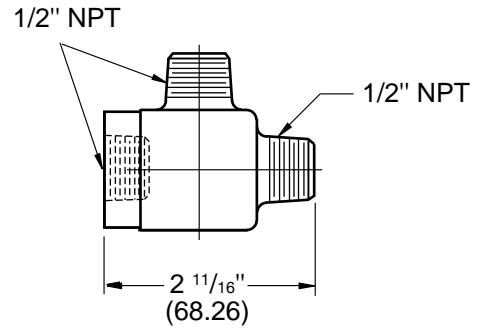
Quick Release Valves (Springless)



W00-10-900



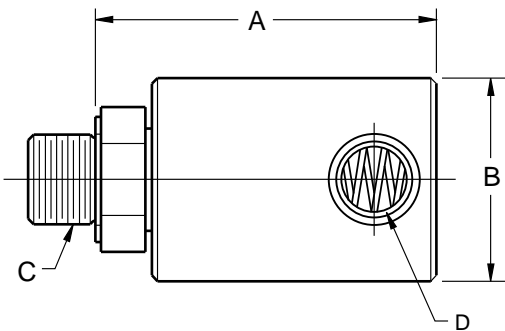
QRV



W00-10-901

(For applications not requiring QRVs, elbows are available.)

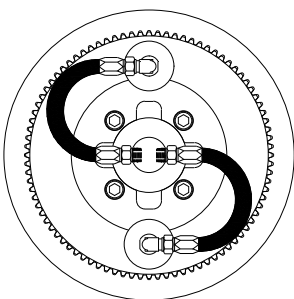
Rotating Air Union Dimensions



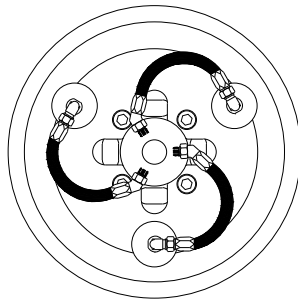
| CLUTCH SIZE | Air Union Part Number | A inches (mm) | B inches (mm) | C Rotor Thread | D Inlet Thread |
|---------------|-----------------------|-----------------|-----------------|----------------|----------------|
| 108 thru 318H | W00-21-006 | 2 5/8 (66.68) | 1 5/8 (41.28) | 5/8"-18 UNF | 1/4" NPT |
| | W00-21-001 | 3 5/16 (84.14) | 1 23/32 (43.66) | 5/8"-18 UNF | 3/8" NPT |
| 121 thru 336 | W00-21-002 | 3 23/32 (94.46) | 2 1/4 (57.15) | 1"-14 UNS | 1/2" NPT/BSPT |
| | W00-21-008 | 4 5/16 (109.54) | 2 7/8 (73.03) | 1"-14 UNS | 3/4" NPT |
| 342 thru 460 | W00-21-011 | 5 1/8 (130.18) | 3 1/4 (82.55) | 1 1/2"-12UNF | 1" NPT |

Larger capacity rotating air unions for faster response time available.

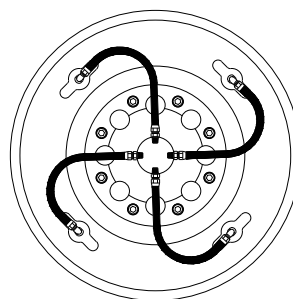
Typical Hose Arrangements for Power Grip Clutches



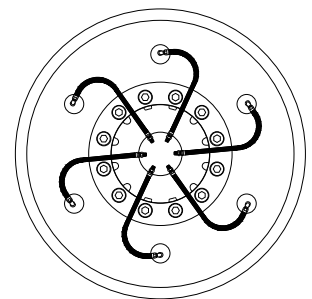
8" - 16"
(1 or 2 Hoses)



18" - 27"
(1 or 3 Hoses)



30" - 48"
(4 Hoses)



60"
(6 Hoses)

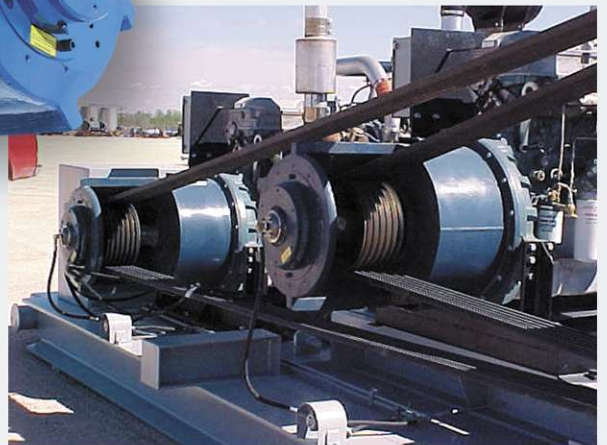
Heavy Duty Power Take-Off Clutches

Hydraulic or Pneumatic Actuation

Up to 2100 hp

Ideal for the following engine driven equipment:

- Pumps
- Woodchippers
- Recycling Shredders
- Dredges
- Road Planers
- Rock Crushers



Type 1

- Highest sideload capacity up to 2100 hp (1565 kW)
- Hydraulic actuation available
- Kevlar® reinforced friction discs
- No pilot bearing
- Self-adjusting
- Belt change without removing rear bearing

Type 2

- Highest sideload capacity up to 700+ hp (520+ kW)
- Hydraulic actuation available
- Kevlar® reinforced friction discs
- No pilot bearing
- Remote engagement

For more information, request Brochure WLB-CG-000



Worldwide Distribution

Consult our website for a distributor in your geographic region.

www.WPTpower.com

WPT Power Transmission Corporation

1600 Fisher Road

P.O. Box 8148, Wichita Falls, TX 76305

phone: 940-761-1971 • fax: 940-761-1989

email: info@WPTpower.com



ASSOCIATION OF
EQUIPMENT
MANUFACTURERS



Power
Transmission
Distributors
Association